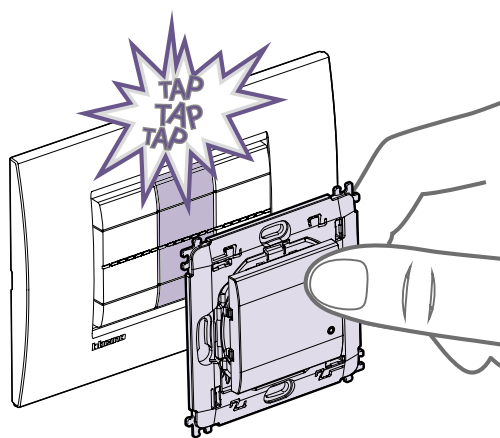


Wireless Controls: 2 solutions to control the system in full freedom.

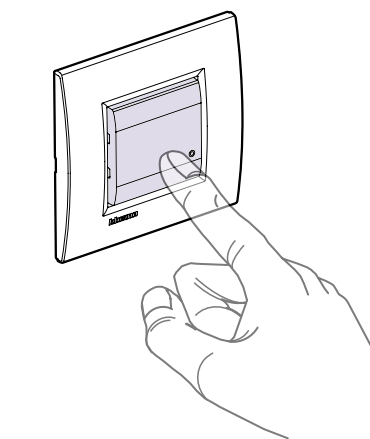
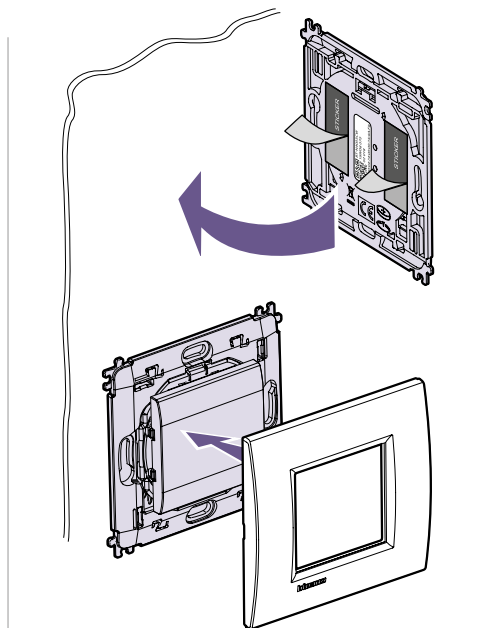
WALL MOUNTED INSTALLATION



IT CAN BE INSTALLED IN A FEW SECONDS

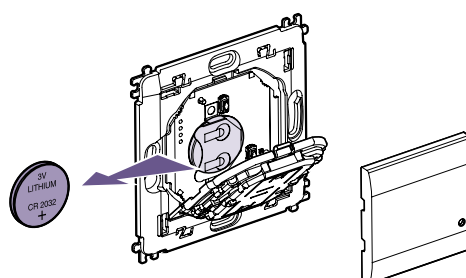


1. associate the control with a simple action



POWER SUPPLY WITH LONG-LIFE BATTERIES

The control is powered by a CR2032 battery, capable of guaranteeing operation for 8 years.



FLUSH MOUNTED INSTALLATION

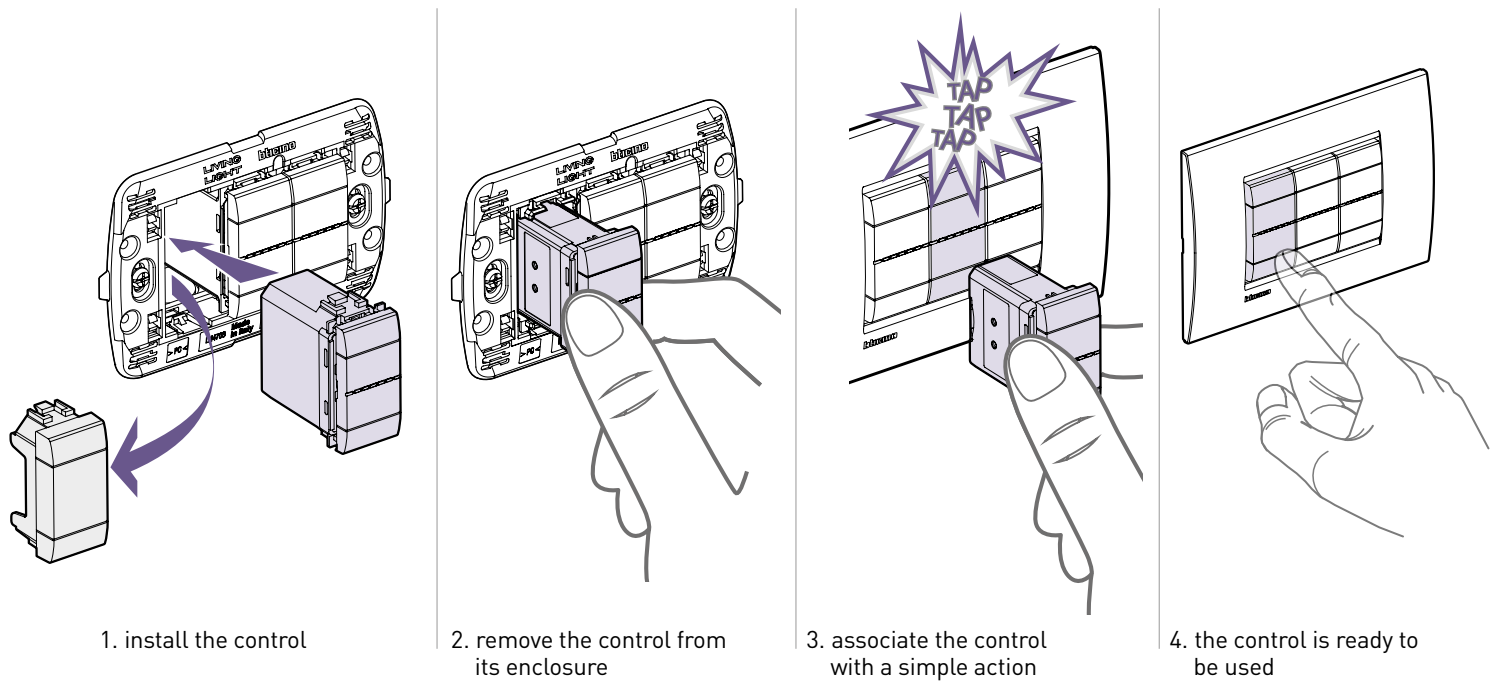


The best flush mounted solution in one single module



Add another control, without wiring

IT CAN BE INSTALLED IN A FEW SECONDS



POWER SUPPLY WITH LONG-LIFE BATTERIES

The control is powered by a CR2032 battery, capable of guaranteeing operation for 8 years. The replacement does not require any tools.

